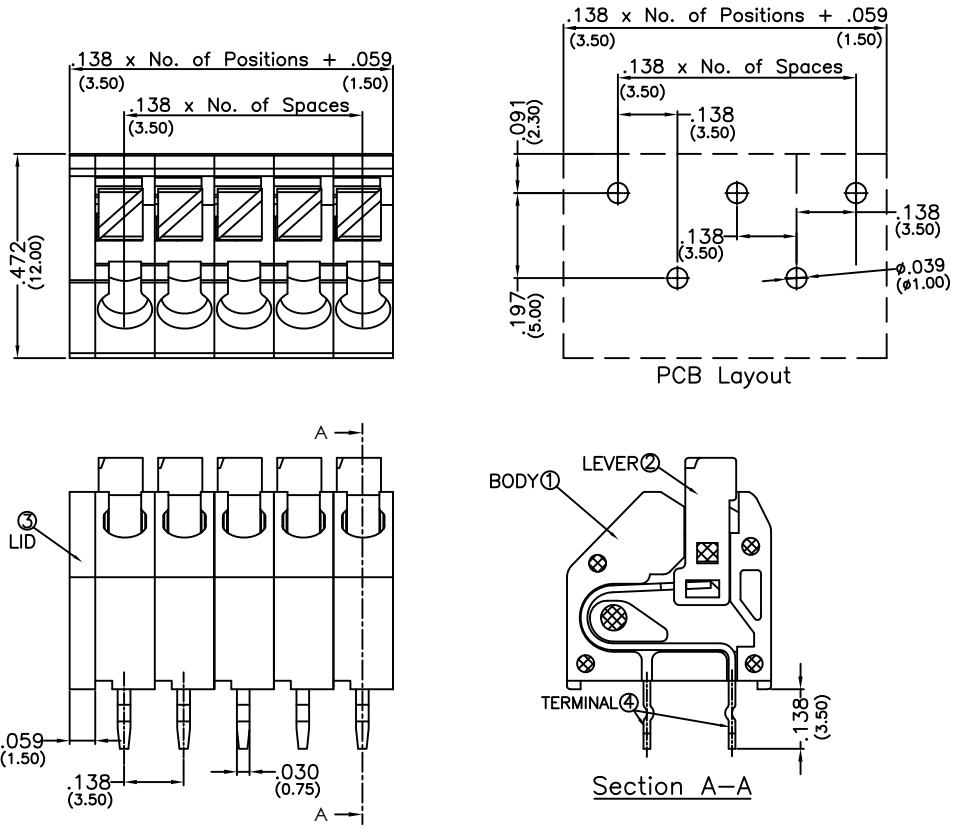
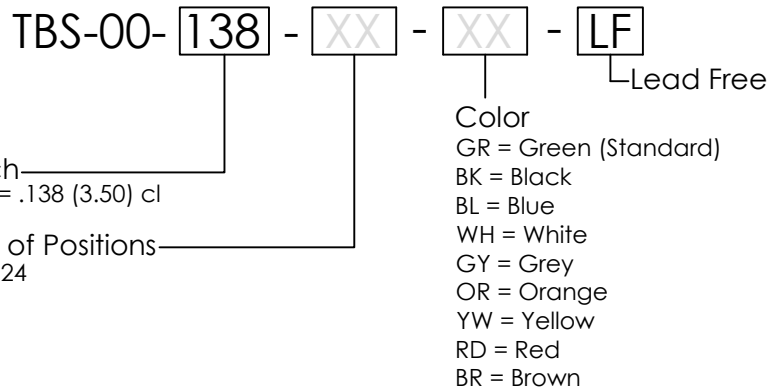


# Major League Electronics .138 cl Screwless Terminal Blocks



## Ordering Information

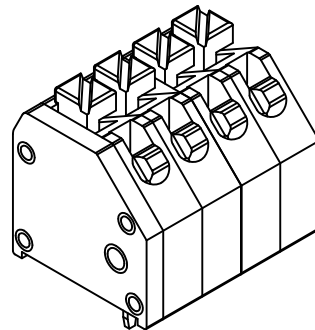


### Specifications

Current Rating: 5 Ampere  
 Voltage Rating: AC 300V  
 Wire Range: 16-20 AWG  
 Dielectric Withstanding Voltage: AC 2500V/1 minute  
 Insulation Resistance: DC 500V 500M $\Omega$   
 Operating Temperature: -33°C to + 105°C  
 Strip Length: .236-.276 (6-7mm)

### Materials

1. Body: PA66 (Nylon), UL94 V-0
2. Lever: PA66 (Nylon), UL94 V-0
3. Side Lid: PA66 (Nylon), UL94 V-0
4. Terminal: C5210R-EH Phosphor Bronze, Tin Plated



Parts are subject to change without notice

TBS-00-138-XX-XX-LF

.138cl Screwless Terminal Block  
Interlock

20 NOV 08

Scale  
NTS

UNLESS OTHERWISE SPECIFIED  
DIMENSIONS IN INCHES (MM)  
TOLERANCES IN INCHES:

ONE DECIMAL PLACE  $\pm 0.30$   
 TWO DECIMAL PLACE  $\pm 0.20$   
 THREE DECIMAL PLACE  $\pm 0.15$   
 FOUR DECIMAL PLACE  $\pm 0.10$



4235 Earnings Way, New Albany, Indiana, 47150, USA  
 1-800-782-3486 (USA/Canada/Mexico)  
 Tel: 812-944-7244  
 Fax: 812-944-7268  
 E-mail: mle@mlelectronics.com  
 Web: www.mlelectronics.com

Revision  
C

Sheet  
1/2


## Revisions

Revision B - (27th Mar 2009)

Amendment to PCB hole diameter from .043 (1.10) to .039 (1.00)

Revision C - (23rd Mar 2010)

Side view and Wire insertion angle added

	TBS-00-138-XX-XX-LF	.138cl Screwless Terminal Block Interlock	20 NOV 08	Scale NTS
<small>UNLESS OTHERWISE SPECIFIED DIMENSIONS IN INCHES (MM) TOLERANCES IN INCHES:</small>  <small>ONE DECIMAL PLACE ±0.30 TWO DECIMAL PLACE ±0.20 THREE DECIMAL PLACE ±0.15 FOUR DECIMAL PLACE ±0.10</small>		4235 Earnings Way, New Albany, Indiana, 47150, USA 1-800-782-3486 (USA/Canada/Mexico) Tel: 812-944-7244 Fax: 812-944-7268 E-mail: mle@mlelectronics.com Web: www.mlelectronics.com	Revision C	
			Sheet 2/2	